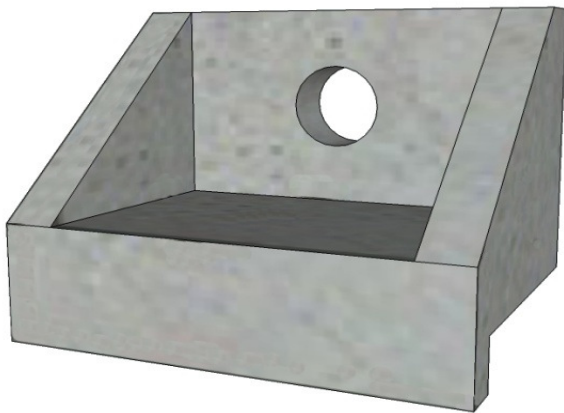
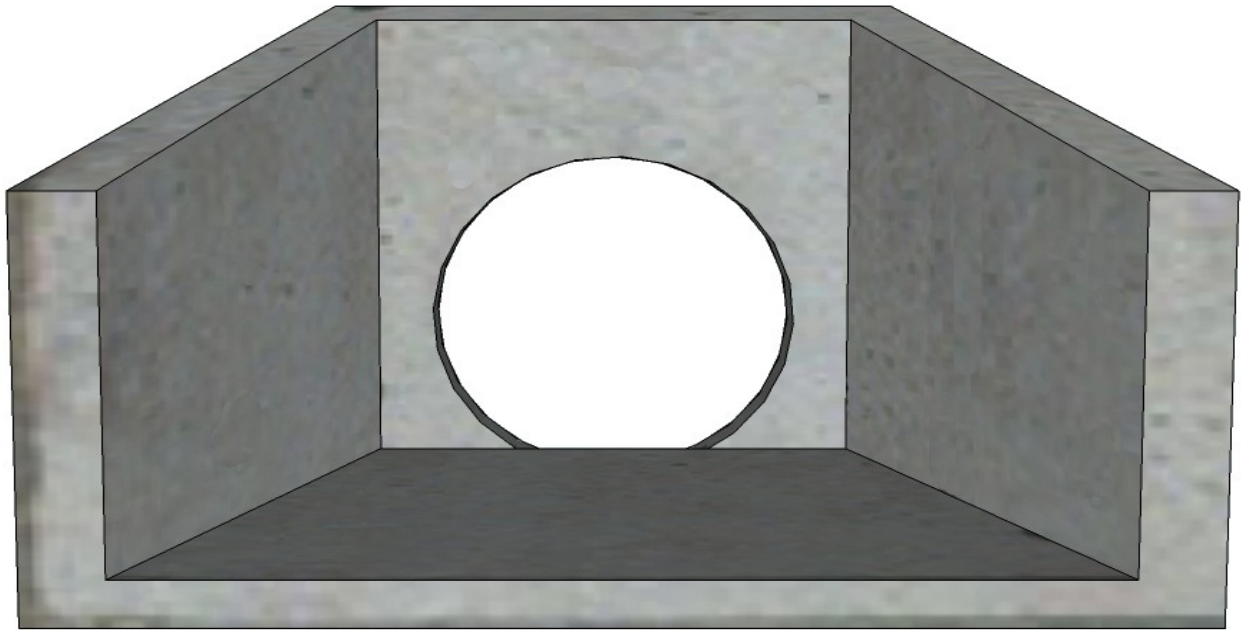
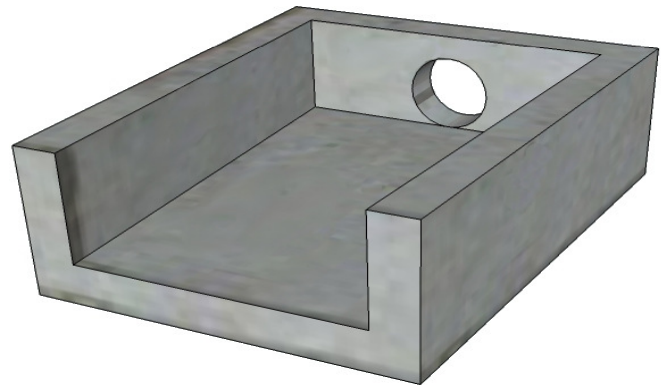


Headwalls



Steep Batter



Flat Batter

Product Code	Description	Suitable Pipe Size	Weight
HW300	Single Cell Headwall	300mm Pipe	225kg
HW375	Single Cell Headwall	375mm Pipe	220kg
HW450	Single Cell Headwall	450mm Pipe	210kg
STEEPATTER	Steep Batter Headwall	100mm Pipe	
FLATBAT	Flat Batter Headwall	100mm Pipe	

***Larger size headwalls and Multicell headwalls available on request.**